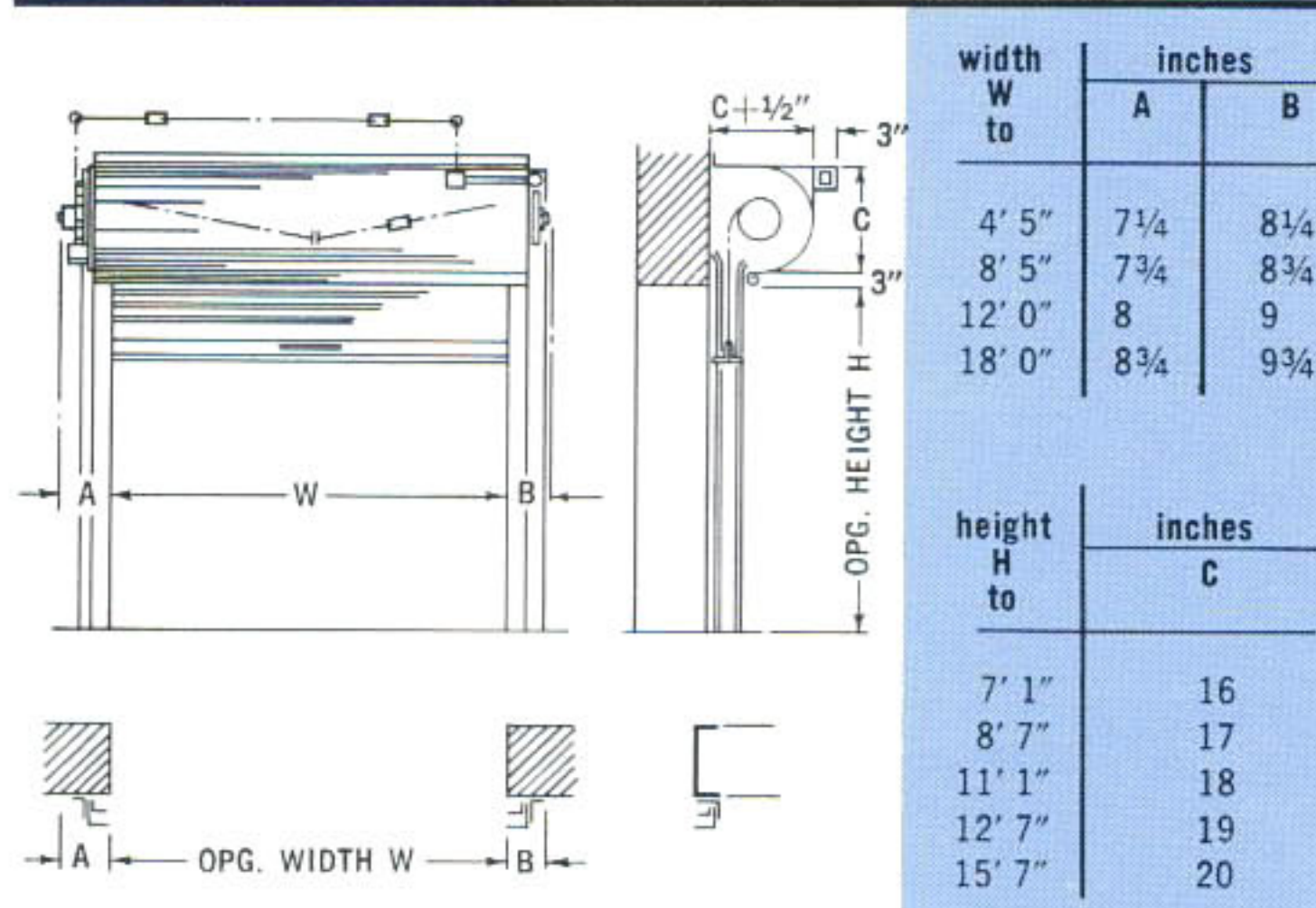


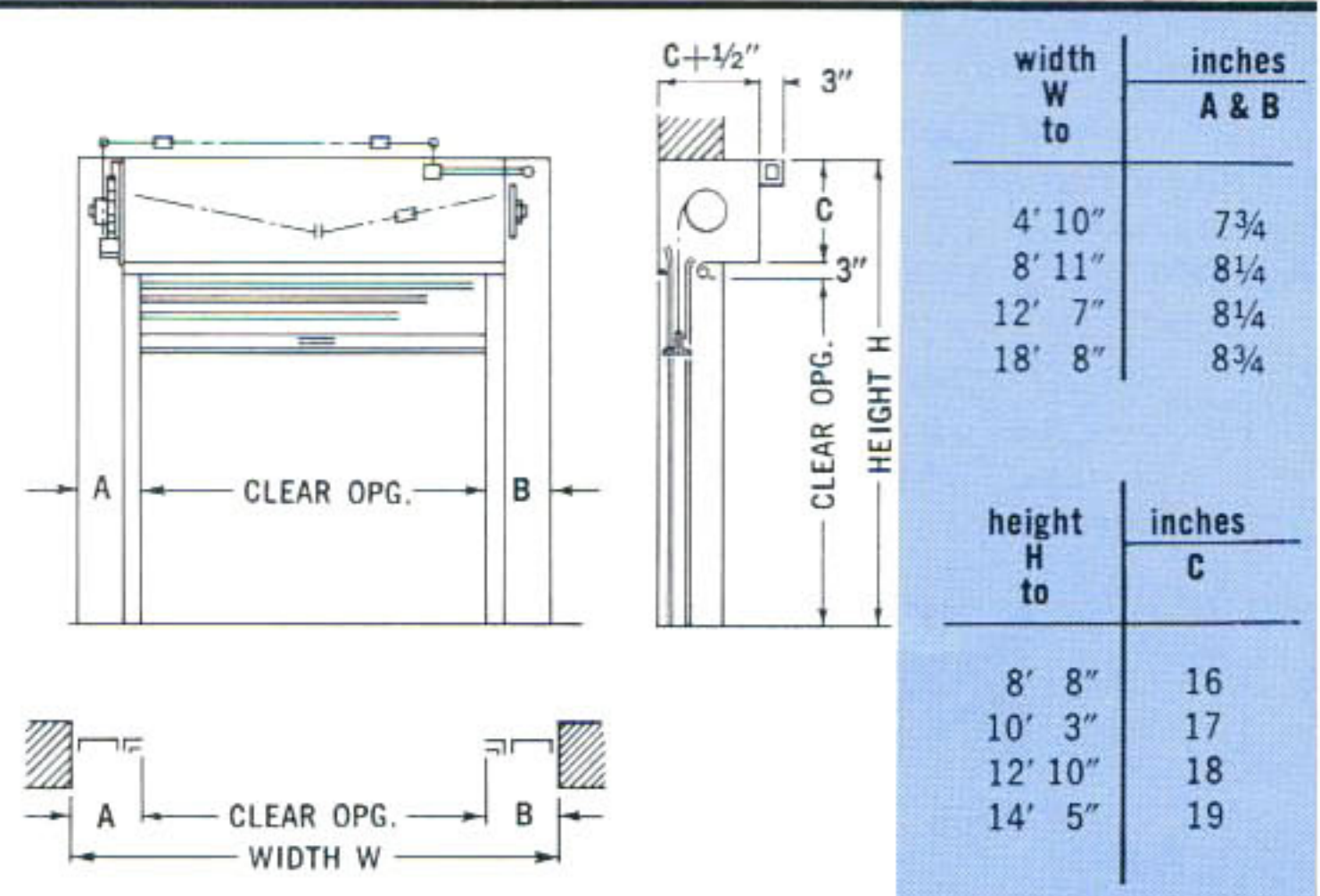
**CLEARANCE DETAILS**

For dimensions of door sizes larger than shown or for other mountings or special conditions, refer to the factory.

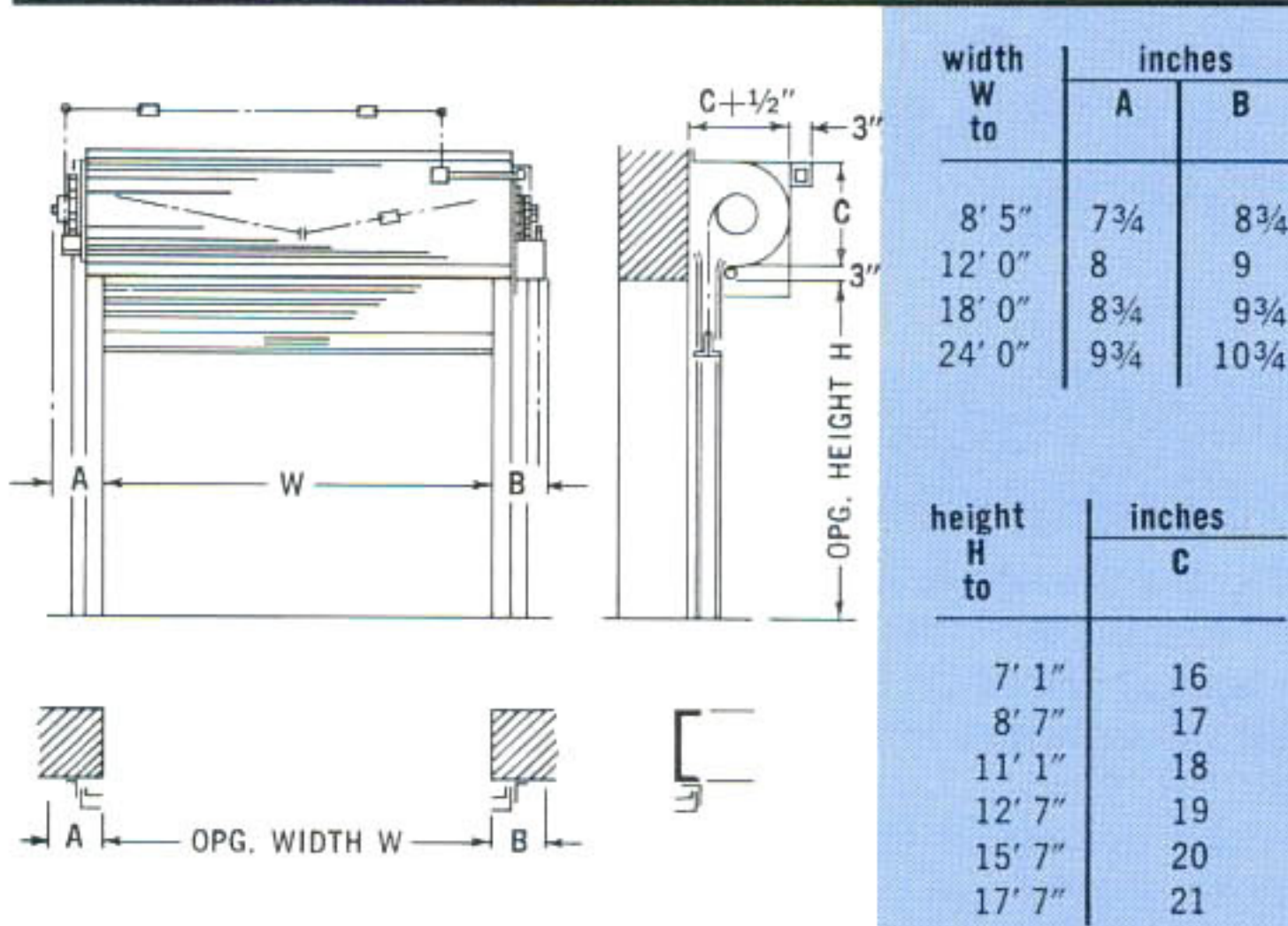
**PUSH-UP FACE OF WALL type FFP**



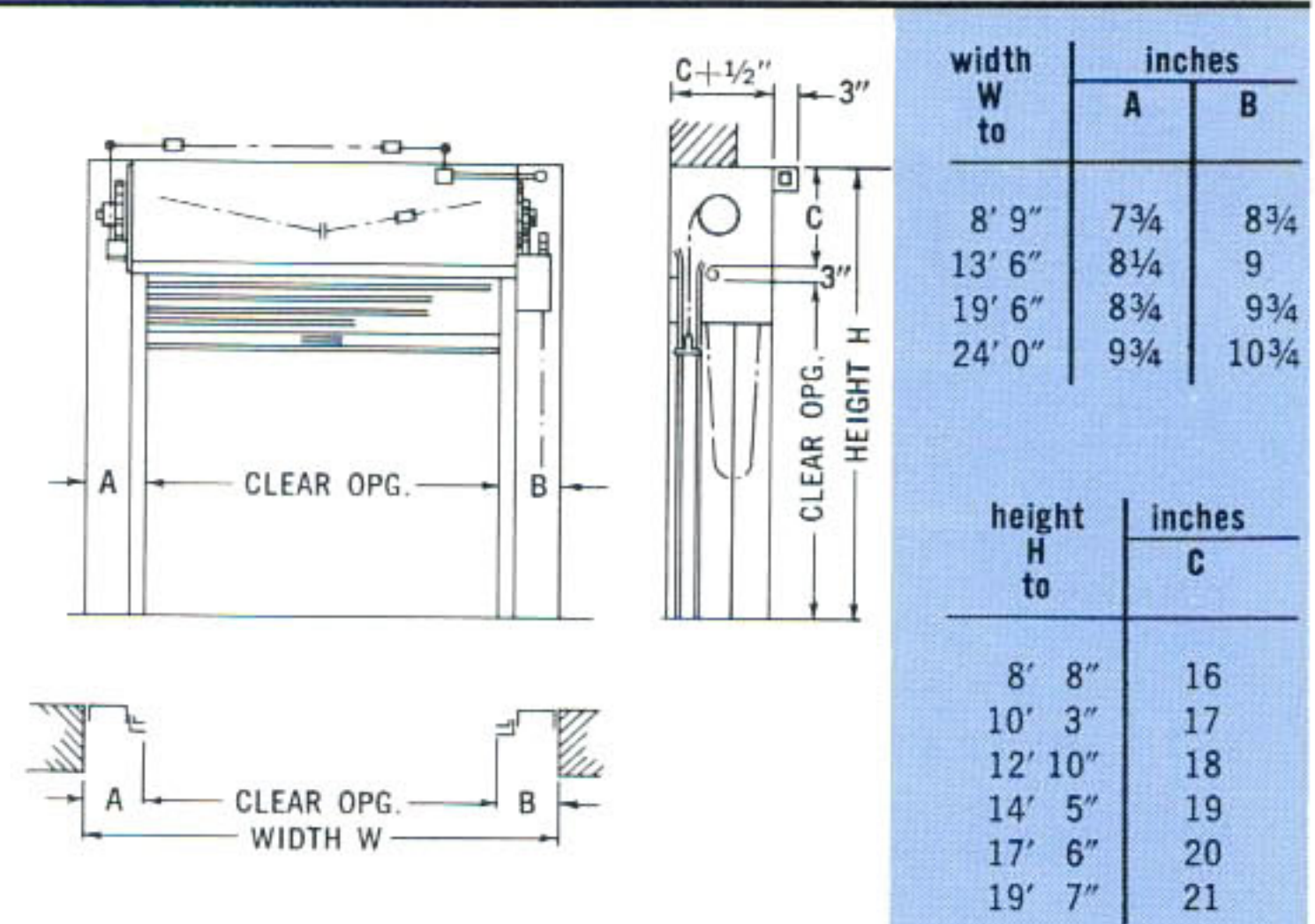
**PUSH-UP BETWEEN JAMBS type FBP**



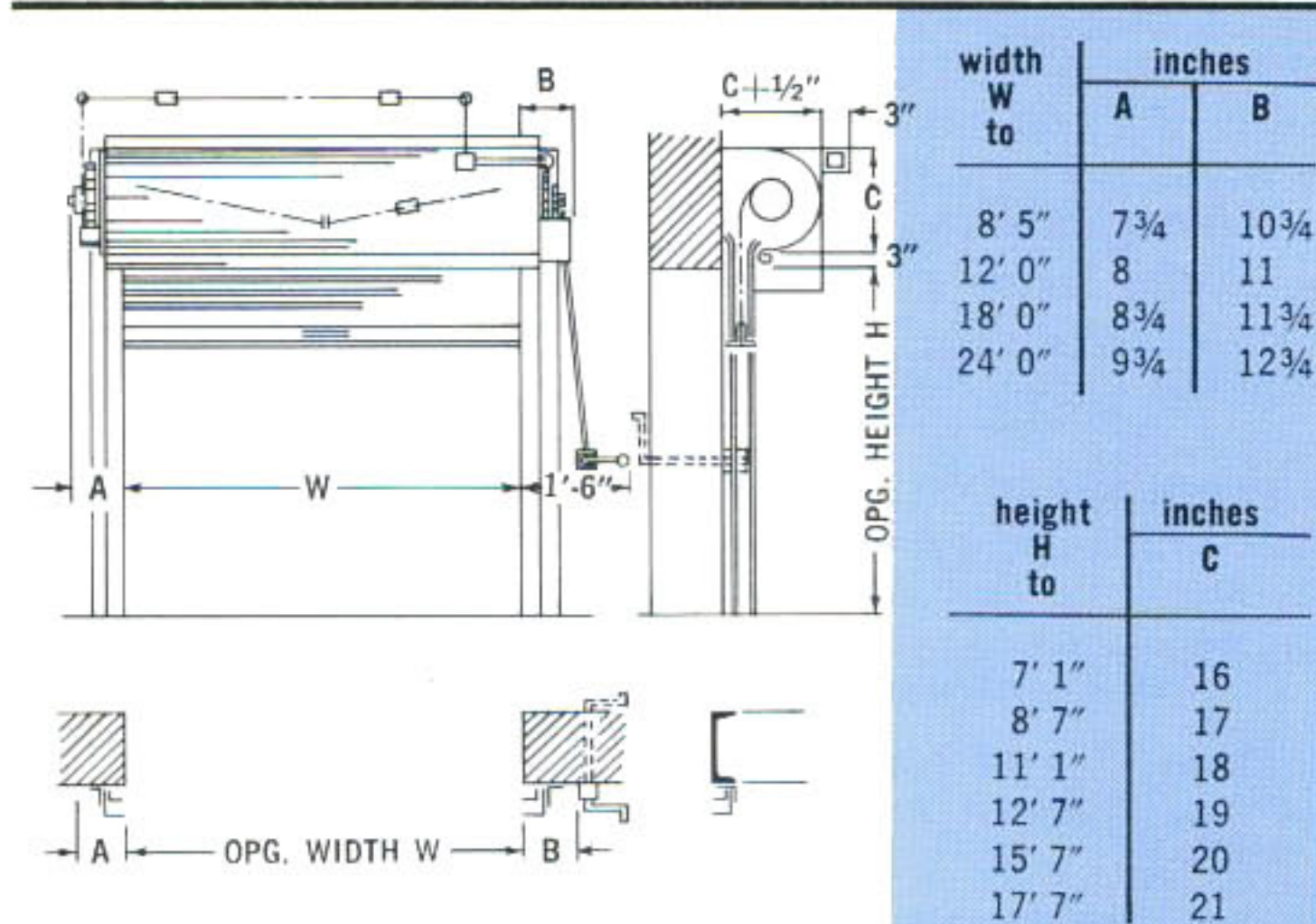
**CHAIN FACE OF WALL type FFC**



**CHAIN BETWEEN JAMBS type FBC**



**CRANK FACE OF WALL type FFK**



**MOTOR FACE OF WALL type FFM**

