

CLEARANCE DETAILS

For dimensions of grille sizes larger than shown or for other mountings or special conditions, refer to the factory:

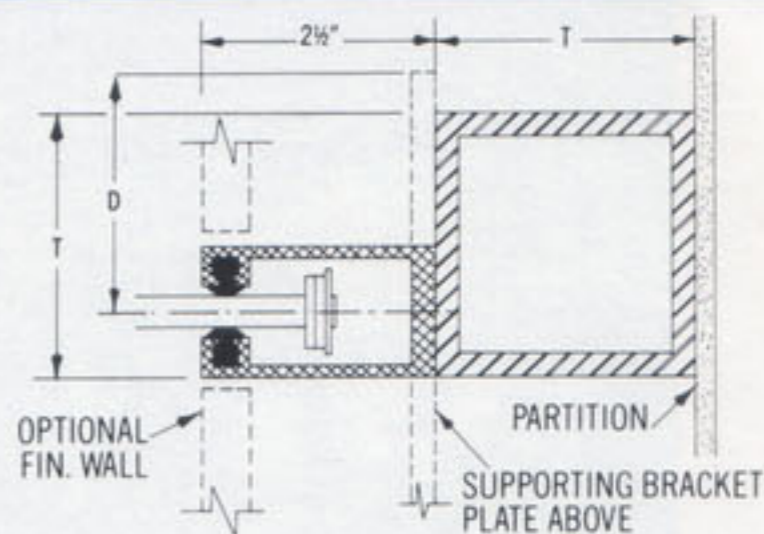
CITY GATES™
USA
800.361.7029

**ROLLING
GRILLES**

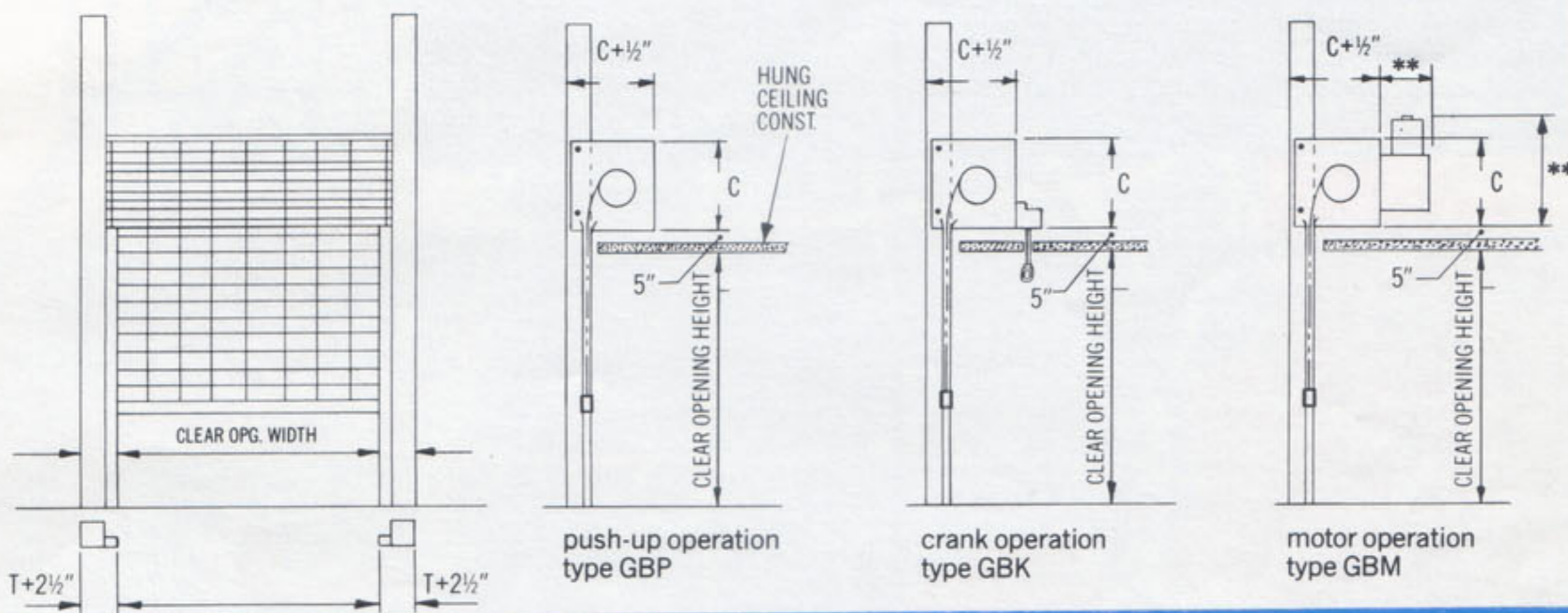
08330/APT
BuyLine 0876

independent tube mounting

Self-supporting structural steel tubes are furnished with grilles when so specified, to permit installation independent of adjacent construction. This design is particularly suitable to enclosed mall requirements. Tubes are anchored to floor slab, and to steel beams or trusses above.



tube and guide detail

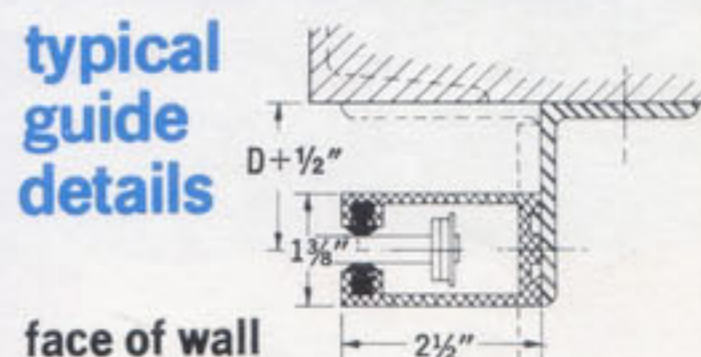


operation	size limit	A	B	E	F	T	clear opg. height—to	C	D
push-up	*	6	5	2 1/2	2 1/2	3	3'1"	14"	2"
crank	to 30 ft. wide	6	6 3/4	6 3/4	6 1/2	3	7'2"	15"	2"
motor	to 30 ft. wide	7 1/2	**	6 3/4	**	3	9'6"	16"	2 1/2"
	to 45 ft. wide	9 1/2	**	8 3/4	**	4	12'0"	17"	3"
							14'7"	18"	3"

*Aluminum grilles 16 ft. wide and 10 ft. high.
Steel grilles 10ft. wide and 10 ft. high.

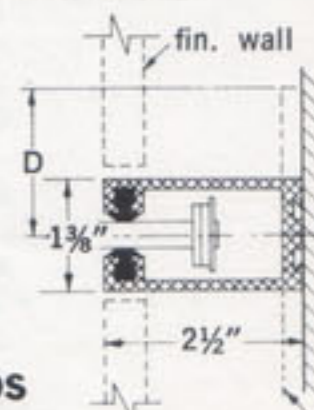
**Refer to page 8 for operator mounting and clearances. Note that VF mounting (vertical front-of-coil) is preferable.

typical guide details



face of wall

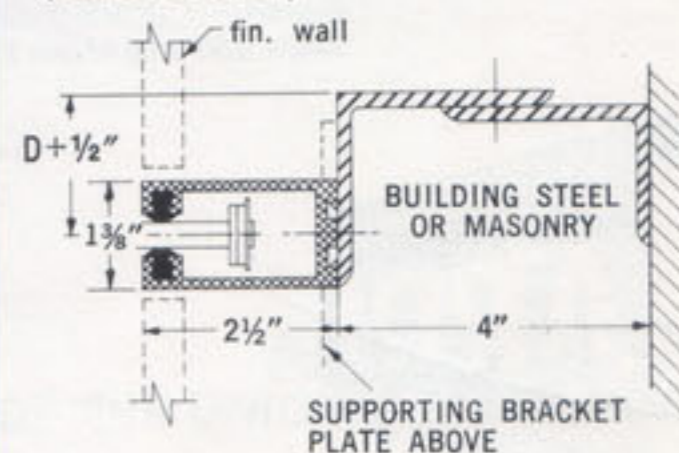
SUPPORTING BRACKET PLATE ABOVE



between jambs

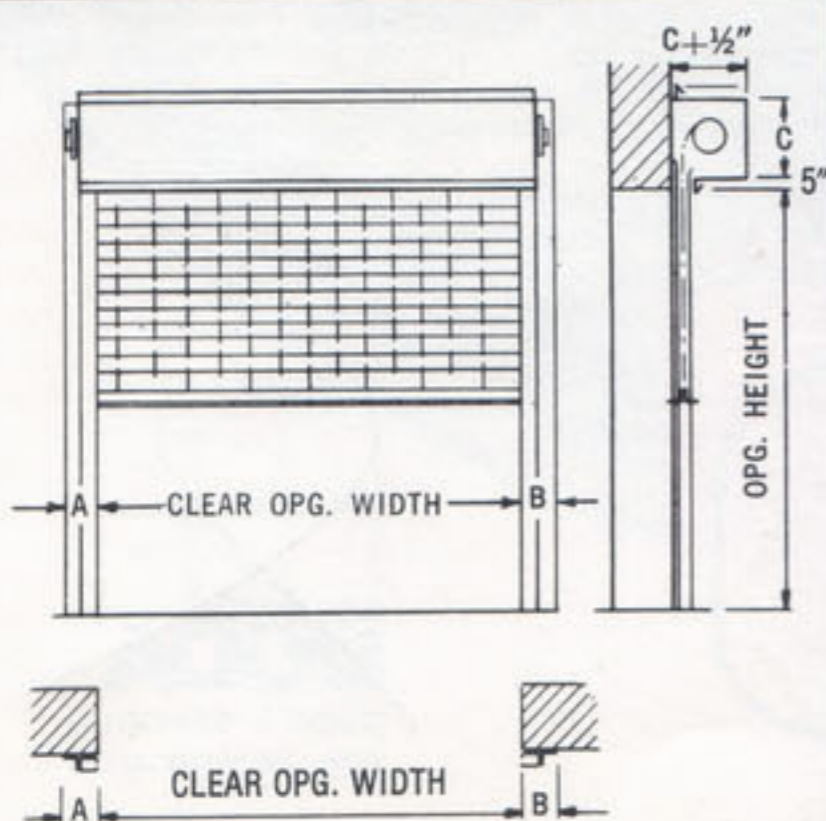
SUPPORTING BRACKET PLATE ABOVE

typical for push-up operation (dimension F)

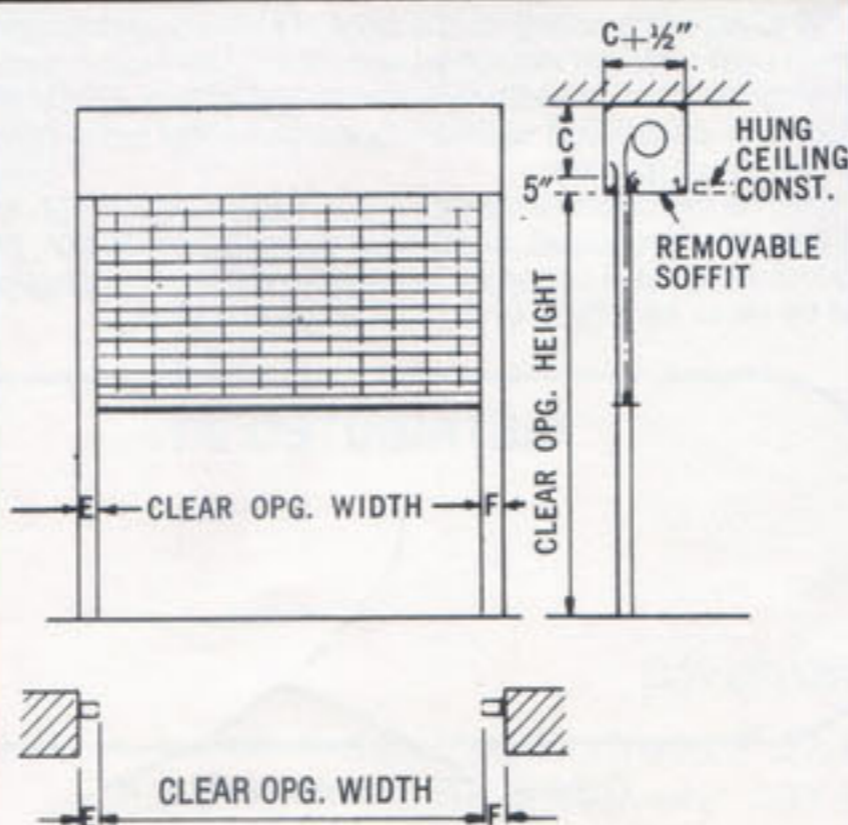


typical for chain, crank, or motor operation (dimension F)

FACE OF WALL MOUNTINGS



BETWEEN JAMB MOUNTINGS



Note: for clarity, crank or motor operators not indicated on drawings.